

Accessories



Value Series Gauges

Diaphragm Seals



Pressure Indicators



Marshalltown

Value Series Gauges

Features

- ASME Grade B Accuracy
- Extra Savings with Quantity Pricing
- 4 Standard Mounting Options: LM, CB, Right and Left

Marshalltown Value Series are the most economical, general purpose gauge in the Marsh gauge line. Suited for use with water, oil, air, gas, and other non-corrosive media. Typical applications include FRL's, compressors, pumps, boilers, regulators, dryers as well as commercial and industrial equipment.

Specifications

Accuracy

ASME Grade B = $\pm 3/2/3\%$
($\pm 2\%$ of range across middle half of scale)

Case Material Steel, black painted

Tube and Socket Copper alloy

Movement Brass

Ranges 15 to 160 PSI

Dial Standard

Dual scale PSI and kPa standard

Dial Black markings on white

Pointer Aluminum, black painted

Window Flat plastic with steel friction ring

MARSHALLTOWN

Value Series



Value Series

Gauges

Marshalltown Value Series Standard Ranges and Part Numbers

Size	1-1/2"				2"			
	LM	CB	Right	Left	LM	CB	LM	CB
Mounting								
Connection NPT	1/8	1/8	1/8	1/8	1/4	1/4	1/8	1/8
0 to 15 PSI		GG1515C8						
0 to 30 PSI	GG1530L8	GG1530C8	GG1530G8	GG1530F8	GG2030L4	GG2030C4	GG2030L8	GG2030C8
0 to 60 PSI	GG1560L8	GG1560C8	GG1560G8	GG1560F8	GG2060L4	GG2060C4		
0 to 100 PSI	GG15100L8	GG15100C8			GG20100L4	GG20100C4	GG20100L8	GG20100C8
0 to 160 PSI	GG15160L8	GG15160C8			GG20160L4	GG20160C4	GG20160L8	GG20160C8
0 to 200 PSI		GG15200C8				GG20200C4		GG20200C8
0 to 300 PSI						GG20300C9		

Diaphragm Seals

Features

Diaphragm seals are isolation devices which separate pressure gauges and other instruments from the process media while allowing the instrument to measure the process pressure. The service life of the instrument is greatly extended, because it is protected from corrosion, clogging, freezing, and pulsation.

Liquid Fillings

The selection of the fill depends on the temperature expected in any given application. Temperature ratings for available fillings are listed below.

Glycerine 0 to 400 °F

Silicone -40 to 600 °F



Diaphragm Seals

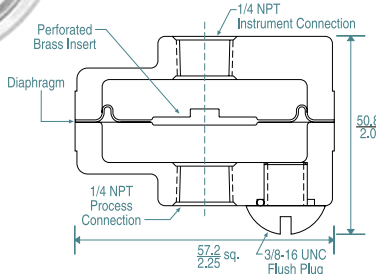
Filled and Calibrated to your specifications

Model B8498 Gauge Protector with Rubber Diaphragm Seal

Description

The Model B8498 Gauge Protector is designed for extremely high volume displacement. Ideally suited for gauges and instruments with operating pressures up to 200 psi and vacuum applications. Available in 1/4 NPT threaded connections and chrome plated zinc construction. A 3/8" flush plug is standard in the process side housing.

Filled and calibrated to gauges only.



Model B8498 Ordering Info

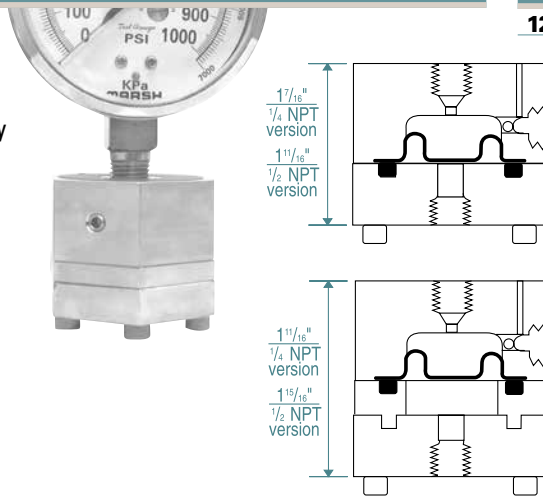
B8498					
▲▲	▲	▲	▲	Assembly	
22				1/4	
				Diaphragm	
			3	Nitrile	
			4	Fluorocarbon	
			5	Neoprene	
				Fill	
			0	No Fill	
			G	Glycerine	
			S	Silicone	

Model 12000 Mini Serviceable Rubber Diaphragm Seal

Description

The Model 12000 Serviceable Mini Diaphragm Seal is designed for gauges and instruments with operating pressure to 2500 psi with stainless and 500 PSI with PVC models. Ideally suited for small applications and corrosive installations. The optional 'Easy Clean Out' feature allows the removal of the process side housing without losing the instrument side fill fluid. Fill/bleed screw port in the instrument side housing, and stainless steel build screws are standard.

Filled and calibrated to Gauges only.



Model 12000 Ordering Info

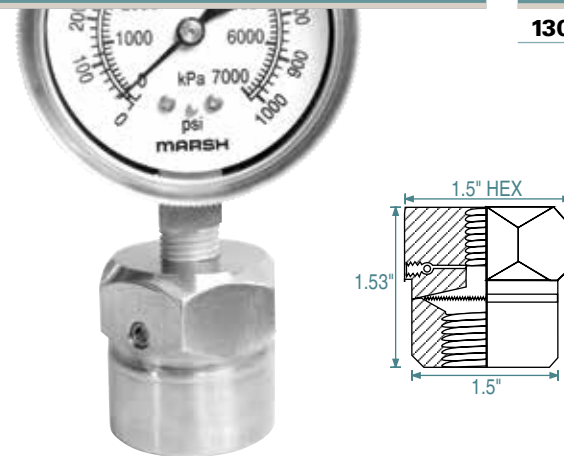
12000					Upper Housing
22					1/4 316SS
24					1/2 316SS
52					1/4 PVC
54					1/2 PVC
					Lower Housing
22					1/4 316SS
24					1/2 316SS
52					1/4 PVC
54					1/2 PVC
					Diaphragm
3					Nitrile
4					Fluorocarbon
5					Neoprene
					Easy Clean Out
0					None
2					Clean Out
					Fill
0					No Fill
G					Glycerine
S					Silicone

Model 13000 Mini / All Welded Diaphragm Seal

Description

The Model 13000 Mini Welded Seal is designed for 2" to 3-1/2" bourdon tube gauges with a minimum pressure of 100 PSI. The maximum operating pressure is 2000 PSI at 100° F. Available in all 316 SS or Hastelloy C process housing and diaphragm.

Filled and calibrated to gauges only.



Model 13000 Ordering Info

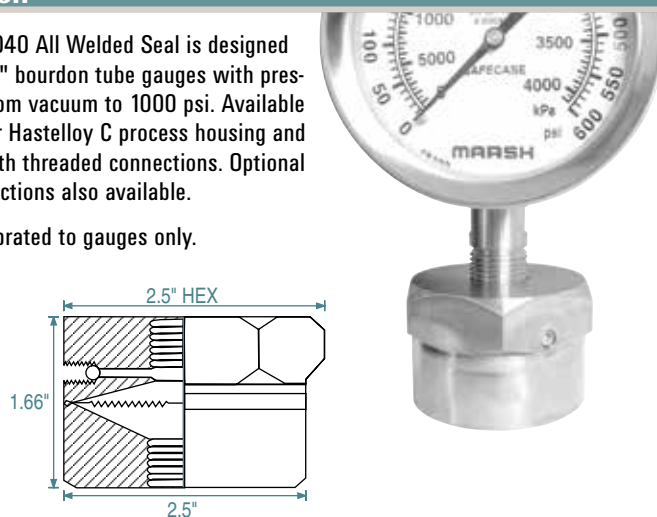
13000					Upper Housing
22					1/4 316SS
					Lower Housing
22					1/4 316SS
24					1/2 316SS
42					1/4 Hastelloy
44					1/2 Hastelloy
					Diaphragm
1					316SS
2					Hastelloy C
					Fill
0					No Fill
G					Glycerine
S					Silicone

Model 13040 All Welded Diaphragm Seal

Description

The Model 13040 All Welded Seal is designed for 2" to 4-1/2" bourdon tube gauges with pressure ranges from vacuum to 1000 psi. Available in all 316SS or Hastelloy C process housing and diaphragm, with threaded connections. Optional flushing connections also available.

Filled and calibrated to gauges only.



Model 13040 Ordering Info

13040					Upper Housing
22					1/4 316SS
24					1/2 316SS
					Lower Housing
22					1/4 316SS
24					1/2 316SS
26					3/4 316SS
28					1 316SS
42					1/4 Hastelloy
44					1/2 Hastelloy
46					3/4 Hastelloy
48					1 Hastelloy
					Diaphragm
1					316SS
2					Hastelloy C
					Flush Connection
0					None
2					1/4
					Fill
0					No Fill
G					Glycerine
S					Silicone

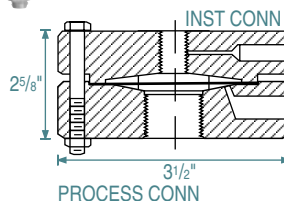
Model 14040

Removable Diaphragm Seal

Description

The Model 14040 Removable Diaphragm Seal is a welded diaphragm-to-upper design allowing the upper housing to be removed with the instrument in place without losing fill. An interlocking feature is used to assure alignment of the upper to the lower housing. Available in threaded connections for pressures vacuum to 2500 PSI. Fill/bleed port screw in the upper is standard and an optional flush connection is available.

Filled and calibrated to gauges only



Model 14040 Ordering Info

14040		Upper Housing	
12		1/4	Steel
14		1/2	Steel
22		1/4	316SS
24		1/2	316SS
		Lower Housing	
12		1/4	
14		1/2	Steel
16		3/4	Steel
18		1	
22		1/4	
24		1/2	316SS
26		3/4	316SS
28		1	
		Diaphragm	
1			316SS
2			Hastelloy C
3			Tantalum
		Flush Connection	
0			None
2			1/4
		Bolts and Nuts	
0			Steel
1			Stainless
		Fill	
0			No Fill
G			Glycerine
S			Silicone

Hand Held Digital Pressure Indicator

Features

- Converts Pressure Input to LCD Digital Readout
- High Accuracy in Lightweight, Portable Package
- State of the Art Semi-Conductor

Marsh Instruments offers the Handheld Digital Pressure Indicator and Calibrator ideal for calibrating DP cells, I/P's and P/I's. The indicator tests installed instruments and transmitters, verifies operation and settings of valves and switches, detects system leaks, and is used for other testing or maintenance applications.

Specifications

Pneumatic Range

Range: -14.7 to 200 psig; with corresponding inches of water column and inches of mercury

Wetted Material

Brass fitting, silicone wafer diaphragm, suitable for instrument air (clean and dry) or any clean, non-conductive fluid

Pressure Fitting

5/16" quick-connect tube fitting standard, with mating nickel-plated brass locking quick-connector and 8" of 1/4" O.D. plastic tubing.

Display

3-1/2 digit LCD, 1/2" high black numerals on light background, with polarity and low battery indicators

Accuracy

±0.5% of reading ±1 count, must be zeroed at barometric pressure

Temperature

Calibration range: 50°-90°F.
Operating range: 30°-130°F.
Effect of temperature outside calibration range is ±0.01% per degree F

Power

Internal: 9-volt transistor battery Ni-Cad chargeable. External: 12-volt adapter will power unit or charge battery in approx. 14 hours. Approximate operation is 8-10 hours per charge

Case Size

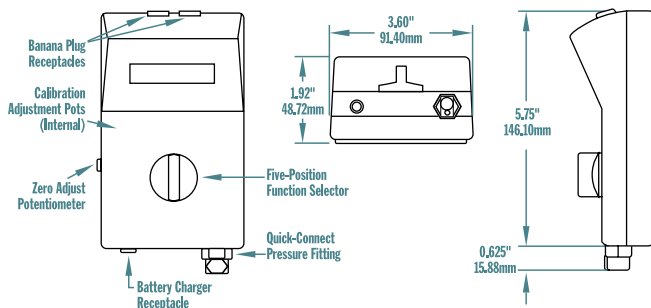
3.60" wide x 5-3/4" long x 1.92" high, ABS plastic

Includes

Carrying case, battery charger, 8" plastic hose, quick-connect fitting, and technical manual



Hand Held Digital Pressure Indicator



4-DP Series Master Test Digital Pressure Indicator

Connection	5/16" quick connect tube fitting
Range	
-14.7 to 50psi	4-DPP-20050-BBC
-14.7 to 60psi	4-DP-20060-B3
-14.7 to 200psi	4-DPP-20200-BBC